

LED STROBE BEACON

PERMANENT MOUNT OR MAGNETIC MOUNT



Permanent Mount
Includes Grommet & Delphi Connector



Magnetic Mount
Includes 12V Plug with Switch

Compact, aerodynamic and super visible LED strobe beacons.
Flash rate: 75 per minute.

Applications include: Trucks, Utility, Construction, Snow Removal Vehicles.

FEATURE	BENEFIT
12 - 24Vdc	Use on pick-ups, cars or heavy duty vehicles.
Low profile design	Provides more stability and better weight distribution. Saves fuel.
Permanent or magnetic mount	Flexible mounting options. Leave on, remove or use on other fleet vehicles.
Alternating amber/white flash patterns	Highly visible, multiple configurations with 360° of lighting.
100,000+ hours LED service life	Lasts longer than traditional halogen, long term cost savings.

LED STROBE BEACON

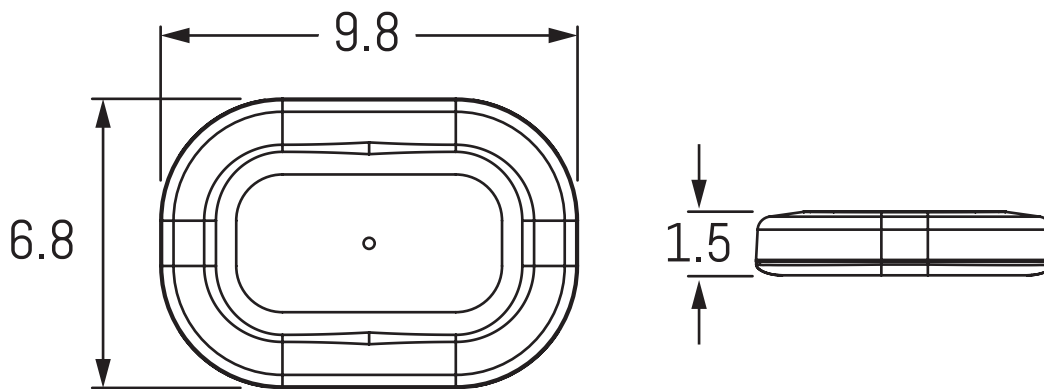
PERMANENT MOUNT OR MAGNETIC MOUNT



Part #	Description	Lumens	Operating Voltage
23705-81546	LED Strobe Beacon Permanent Mount	1700	12 - 24Vdc
23705-81547	LED Strobe Beacon Magnetic Mount	1700	12 - 24Vdc

Specifications:

- Operating Voltage: 12 - 24Vdc
- Operating Current: 2.1A @ 12Vdc
- Max Current: 4.2A @ 12Vdc
- Power Consumption: 25.2W @ 12Vdc
- Max Power Consumption: 50.4W @ 12Vdc
- SAE/DOT: SAE, Title XIII
- Temperature Range: -40°C to +85°F
- IP Rating: IP69
- Weight: 2.8lbs (1.3kg)
- Connection: Delphi 2-Way (1205 9253)
- Housing: Black ABS
- Lens: Polycarbonate
- LEDs: High Intensity, 1W x 30 pcs



A.R.E. lighting and electronic products must be fused appropriately in all instances. If you are in doubt, consult with an A.R.E. service representative at 1-800-649-4ARE or email contact@4are.com.
 NOTE: Improperly fused/installed product will invalidate the warranty.